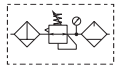


Popular Combinations: Inlet pressure 145 psig (10 bar), secondary pressure 91.3 psig (6.3 bar), 14.5 psig (1 bar) pressure drop.



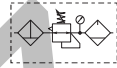
Filter + Regulator + Lubricator Combinations, poly bowl
5 micron element, 116 psig (8 bar) regulator + gauge and wall mounting brackets



Port Size	Flow	Manual Drain	Pulse Drain
1/4"	27 scfm (13 dm³/s, ANR)	P31CB12GEMNTLNW	P31CB12GEBNTLNW



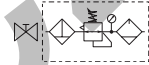
Filter/Regulator + Lubricator Combinations, poly bowl
5 micron element, 116 psig (8 bar) regulator + gauge and wall mounting brackets



Port Size	Flow	Manual Drain	Pulse Drain
1/4"	28 scfm (14 dm³/s, ANR)	P31CA12GEMNTLNW	P31CA12GEBNTLNW



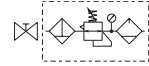
Ball Valve + Filter + Regulator + Lubricator Combinations, poly bowl
5 micron element, 116 psig (8 bar) regulator + gauge and wall mounting brackets



Port Size	Flow	Manual Drain	Pulse Drain
1/4"	27 scfm (13 dm³/s, ANR)	P31QB12GEMNTLNW	P31QB12GEBNTLNW



Ball Valve + Filter/Regulator + Lubricator Combinations, poly bowl
5 micron element, 116 psig (8 bar) regulator + gauge and wall mounting brackets



Port Size	Flow	Manual Drain	Pulse Drain
1/4"	28 scfm (14 dm³/s, ANR)	P31QA12GEMNTLNW	P31QA12GEBNTLNW

All combo are without any mounting nut on regulator or filter regulator.

Filter / Regulator coding
(use with codes: A M)

Filter coding (use with combo codes: B F G). For multiple filters, repeat as needed.	Regulator coding (use with combo code: B)	Lubricator coding (use with combo codes: A B)	Assembly configuration
---	--	---	---------------------------

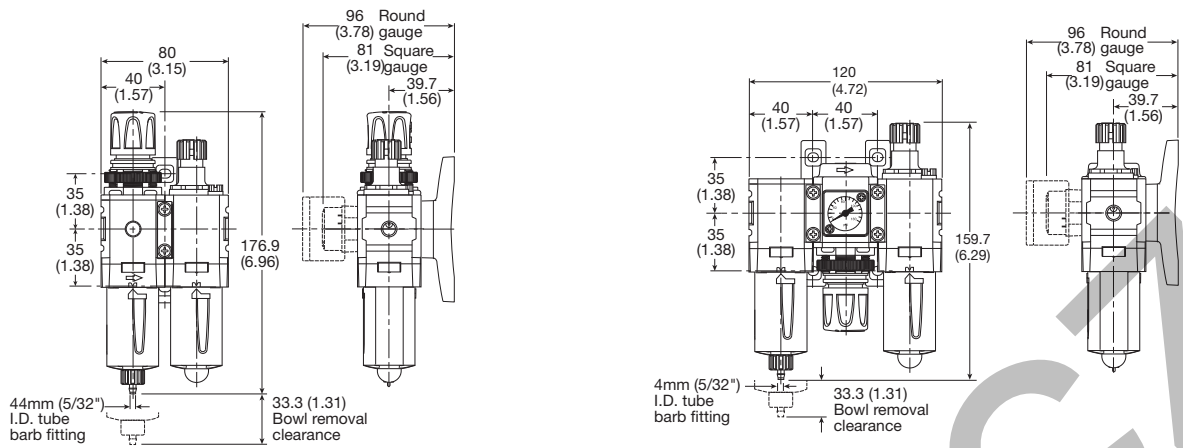
<p>P31</p> <p>Combination</p> <table border="1"> <tr><td>B/V + Combination</td><td>Q</td></tr> <tr><td>Combination + B/V</td><td>X</td></tr> <tr><td>Combination</td><td>C</td></tr> </table> <p>B/V = Ball valve</p> <p>Combination Type*</p> <table border="1"> <tr><td>F/R+L</td><td>A</td><td>F+Fc+Fa</td><td>G</td></tr> <tr><td>F+R+L</td><td>B</td><td>F/R+Fc</td><td>M</td></tr> <tr><td>F+Fc</td><td>F</td><td></td><td></td></tr> </table> <p>* Combination type F = 5µ Fc1 = 1µ Fc = .01µ Fa = Adsorber</p> <p>Bowl Type</p> <table border="1"> <tr><td>Poly Bowl with Bowl Guard †</td><td>G</td></tr> <tr><td>Metal Bowl without Sight Gauge</td><td>M</td></tr> </table> <p>Note: All bowl types are the same for each component</p> <p>Example: If a "G" is specified for a F+L, both units would get a poly bowl with bowl guard.</p> <p>† For polycarbonate bowl, see caution in Engineering Section A.</p>	B/V + Combination	Q	Combination + B/V	X	Combination	C	F/R+L	A	F+Fc+Fa	G	F+R+L	B	F/R+Fc	M	F+Fc	F			Poly Bowl with Bowl Guard †	G	Metal Bowl without Sight Gauge	M	<p>Thread Type</p> <table border="1"> <tr><td>BSPP</td><td>1</td></tr> <tr><td>BSPT</td><td>2</td></tr> <tr><td>NPT</td><td>9</td></tr> </table> <p>Port Size</p> <table border="1"> <tr><td>1/4</td><td>2</td></tr> </table> <p>Element</p> <table border="1"> <tr><td>5µ Element</td><td>E</td></tr> <tr><td>0.01µ Element</td><td>C</td></tr> <tr><td>1µ Element</td><td>9</td></tr> <tr><td>Adsorber</td><td>A</td></tr> </table> <p>Drain Type</p> <table border="1"> <tr><td>Manual Drain</td><td>M</td></tr> <tr><td>Pulse Drain</td><td>B</td></tr> </table>	BSPP	1	BSPT	2	NPT	9	1/4	2	5µ Element	E	0.01µ Element	C	1µ Element	9	Adsorber	A	Manual Drain	M	Pulse Drain	B	<p>Relief / Adjustment</p> <table border="1"> <tr><td>Non-Rising Knob</td><td>N</td></tr> </table> <p>Adjustment Range</p> <table border="1"> <thead> <tr><th>With Round Gauge</th><th></th></tr> </thead> <tbody> <tr><td>30 psig; 2 bar; 0.2 MPa</td><td>Z</td></tr> <tr><td>60 psig; 4 bar; 0.4 MPa</td><td>M</td></tr> <tr><td>125 psig; 8 bar; 0.8 MPa</td><td>G</td></tr> <tr><td>232 psig; 16 bar; 1.6 MPa</td><td>J§</td></tr> </tbody> </table> <table border="1"> <thead> <tr><th>Without Gauge</th><th>With Square Gauge</th></tr> </thead> <tbody> <tr><td>30 psig; 2 bar; 0.2 MPa</td><td>Y</td></tr> <tr><td>60 psig; 4 bar; 0.4 MPa</td><td>L</td></tr> <tr><td>125 psig; 8 bar; 0.8 MPa</td><td>N</td></tr> <tr><td>232 psig; 16 bar; 1.6 MPa</td><td>H§</td></tr> </tbody> </table>	Non-Rising Knob	N	With Round Gauge		30 psig; 2 bar; 0.2 MPa	Z	60 psig; 4 bar; 0.4 MPa	M	125 psig; 8 bar; 0.8 MPa	G	232 psig; 16 bar; 1.6 MPa	J §	Without Gauge	With Square Gauge	30 psig; 2 bar; 0.2 MPa	Y	60 psig; 4 bar; 0.4 MPa	L	125 psig; 8 bar; 0.8 MPa	N	232 psig; 16 bar; 1.6 MPa	H §	<p>Lub Type</p> <table border="1"> <tr><td>Oil Mist</td><td>L</td></tr> <tr><td>Standard</td><td>L</td></tr> <tr><td>Sight Dome</td><td>L</td></tr> </table> <p>Drain Type</p> <table border="1"> <tr><td>No Drain; Closed End</td><td>N</td></tr> </table>	Oil Mist	L	Standard	L	Sight Dome	L	No Drain; Closed End	N	<p>Mounting</p> <table border="1"> <tr><td>No Bracket</td><td>A</td></tr> <tr><td>Port Blocks</td><td>C*</td></tr> <tr><td>Port Blocks & Wall Brkt</td><td>D*</td></tr> <tr><td>Wall Bracket</td><td>W</td></tr> </table> <p>* For 3/8" Port Blocks please order separately. See Kits section.</p> <p>§ Regulator comes with gauge respective to the adjustment range selected.</p> <p>§ Not available with poly bowl with bowl guard.</p>	No Bracket	A	Port Blocks	C*	Port Blocks & Wall Brkt	D*	Wall Bracket	W
B/V + Combination	Q																																																																																			
Combination + B/V	X																																																																																			
Combination	C																																																																																			
F/R+L	A	F+Fc+Fa	G																																																																																	
F+R+L	B	F/R+Fc	M																																																																																	
F+Fc	F																																																																																			
Poly Bowl with Bowl Guard †	G																																																																																			
Metal Bowl without Sight Gauge	M																																																																																			
BSPP	1																																																																																			
BSPT	2																																																																																			
NPT	9																																																																																			
1/4	2																																																																																			
5µ Element	E																																																																																			
0.01µ Element	C																																																																																			
1µ Element	9																																																																																			
Adsorber	A																																																																																			
Manual Drain	M																																																																																			
Pulse Drain	B																																																																																			
Non-Rising Knob	N																																																																																			
With Round Gauge																																																																																				
30 psig; 2 bar; 0.2 MPa	Z																																																																																			
60 psig; 4 bar; 0.4 MPa	M																																																																																			
125 psig; 8 bar; 0.8 MPa	G																																																																																			
232 psig; 16 bar; 1.6 MPa	J §																																																																																			
Without Gauge	With Square Gauge																																																																																			
30 psig; 2 bar; 0.2 MPa	Y																																																																																			
60 psig; 4 bar; 0.4 MPa	L																																																																																			
125 psig; 8 bar; 0.8 MPa	N																																																																																			
232 psig; 16 bar; 1.6 MPa	H §																																																																																			
Oil Mist	L																																																																																			
Standard	L																																																																																			
Sight Dome	L																																																																																			
No Drain; Closed End	N																																																																																			
No Bracket	A																																																																																			
Port Blocks	C*																																																																																			
Port Blocks & Wall Brkt	D*																																																																																			
Wall Bracket	W																																																																																			

Most Popular-

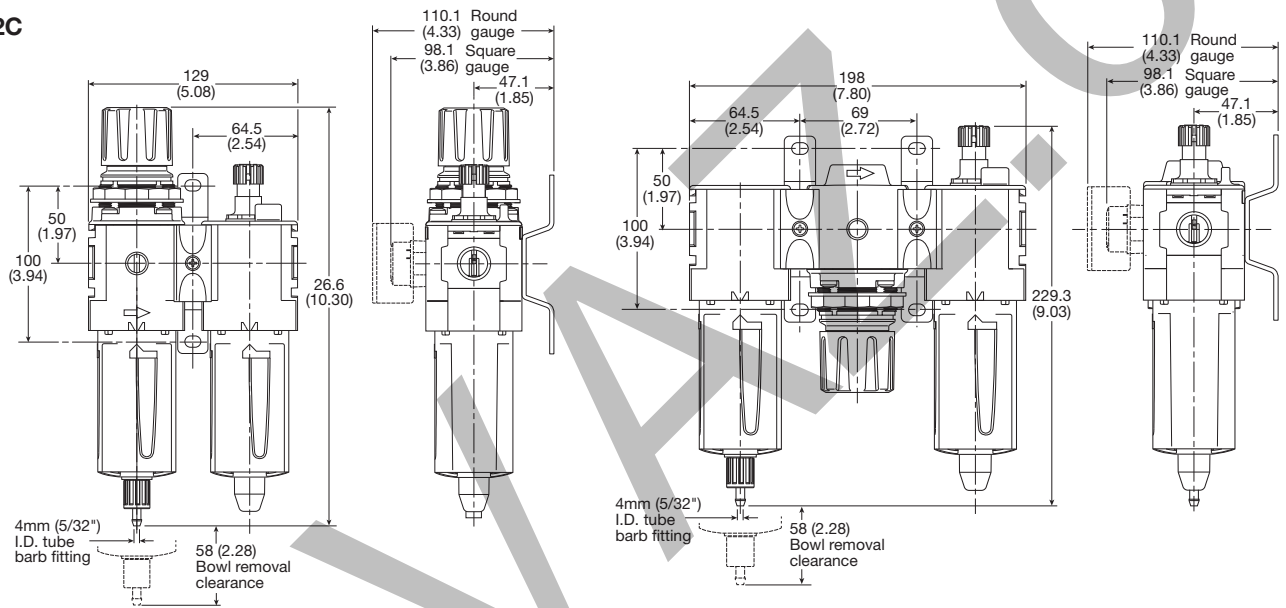


Popular Combination Dimensions mm (inches)

P31C



P32C



P33C

